

SensolIRIS WSST EN54-23 Addressable Wall Mount Sounder&Strobe

EN54-3/23

Description

SensolIRIS WSST EN54-23 is VAD addressable Wall Mount Sounder and Strobe designed for installing in addressable fire alarm systems supporting TTE communication protocol. The device is powered on from the panel and can be controlled via the communication protocol. The device SensolIRIS WSST EN54-23 is compatible with fire bases B124 for ceiling mounting and WSB IP65 for wall mounting.

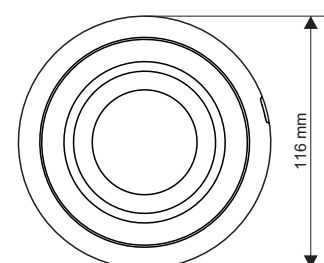
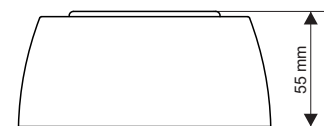


Technical and Environmental Specifications

Operating Voltage Range	15 - 32VDC (Nom. 27VDC)
Nominal consumption (stand-by)	< 500µA@27VDC
Maximal consumption (main tone type 27):	
- low volume level, sound only	< 5mA
- low volume level, sound and strobe	< 12mA
- high volume level, sound only	< 16.5mA
- high volume level, sound and strobe	< 22mA
Maximal consumption (other tone types):	
- low volume level, sound only	< 4mA
- low volume level, sound and strobe	< 11mA
- high volume level, sound only	< 10mA
- high volume level, sound and strobe	< 16.5mA
Power volume (main tone type 27):	
- low volume	~ 80dB (A) ± 6dB @ 1m
- high volume	~ 92dB (A) ± 5dB @ 1m
Power volume (other tone types):	
- low volume	75-85dB ± 3dB @ 1m
- high volume	80-95dB ± 3dB @ 1m
Number of tone types	32
Supported communication protocol	TTE
Wire Gauge for terminals	2.5mm ²
Relative humidity resistance	(93 ± 3)% @ 40°C
Color	white, transparent
Material	SAN



DoP No: 008
1293-CPR-0461 Rev.1
Tested by EVPU



Packing Information

- **Packing box** - 1 unit SensolIRIS WSST EN54-23, dimensions 117x120x57mm.
- **Carton box** - 40 units SensolIRIS WSST EN54-23, dimensions 520x250x367mm.

Compatible Product Range

- **IRIS** - Addressable Fire Panel, 4 loops, 96 Zones
- **IRIS PRO** - Addressable Fire Panel, metal box, 4 loops, 96 Zones
- **SIMPO** - Addressable Fire Panel, 2 loops, 48 Zones
- **SensolIRIS B124** - Standard Base
- **SensolIRIS WSB IP65** - Waterproof deep base accessory
- **DeepBase W** - Deep base accessory, white, for mounting on rough surfaces, outdoor pipelines, etc.
- **SensolIRIS Programmer** - Address Programming Tool

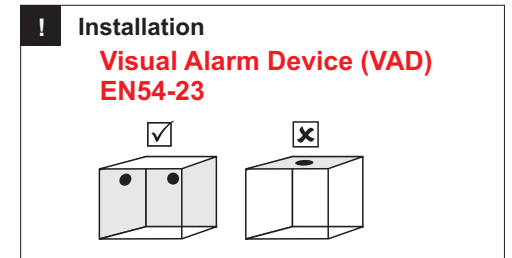
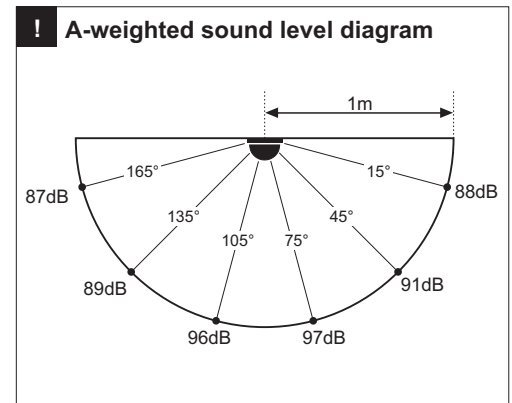
Contact Information:

SensoIRIS WSST EN54-23 Addressable Wall Mount Sounder&Strobe

EN54-3/23

Supported Tone Types and Description

Tone	Tone Type	Tone Description / Application
1		970Hz
2		800Hz/970Hz @ 2Hz
3		800Hz - 970Hz @ 1Hz
4		970Hz 1s OFF/1s ON
5		970Hz, 0.5s/ 630Hz, 0.5s
6		554Hz, 0.1s/ 440Hz, 0.4s (AFNOR NF S 32 001)
7		500 - 1200Hz, 3.5s/ 0.5s OFF (NEN 2575:2000)
8		420Hz 0.625s ON/0.625s OFF (Australia AS1670 Alert tone)
9		500 - 1200Hz, 0.5s/ 0.5s OFF x 3/1.5s OFF (AS1670 Evacuation)
10		550Hz/440Hz @ 0.5Hz
11		970Hz, 0.5s ON/0.5s OFF x 3/ 1.5s OFF (ISO 8201)
12		2850Hz, 0.5s ON/0.5s OFF x 3/1.5s OFF (ISO 8201)
13		1200Hz - 500Hz @ 1Hz (DIN 33 404)
14		400Hz
15		550Hz, 0.7s/1000Hz, 0.33s
16		1500Hz - 2700Hz @ 3Hz
17		750Hz
18		2400Hz
19		660Hz
20		660Hz 1.8s ON/1.8s OFF
21		660Hz 0.15s ON/0.15s OFF
22		510Hz, 0.25s/ 610Hz, 0.25s
23		800/1000Hz 0.5s each (1Hz)
24		250Hz - 1200Hz @ 12Hz
25		500Hz - 1200Hz @ 0.33Hz
26		2400Hz - 2900Hz @ 9Hz
27		2400Hz - 2900Hz @ 3Hz 2500Hz (main sound frequency)
28		800Hz - 970Hz @ 100Hz
29		800Hz - 970Hz @ 9Hz
30		800Hz - 970Hz @ 3Hz
31		800Hz, 0.25s ON/1s OFF
32		500Hz - 1200Hz, 3.75s/0.25s OFF (AS2220)



Installation

- IP43C (EN54-3)*
IP65 (EN60529)**
- 10°C ÷ +50°C
- ~183g
- Indoor use*
- Outdoor use**

* When used with base B124
** When used with base WSB IP65

Contact Information:

Teletek Electronics JSC
14A Srebarna Str, 1407 Sofia, Bulgaria

Tel.: +359 2 9694 800
Fax: +359 2 9625 213

info@teletek-electronics.bg
www.teletek-electronics.com
Whatsapp: +923004003267