

## SensoIRIS M140 Combined Fire Alarm Detector

### EN54-5/7

### Description

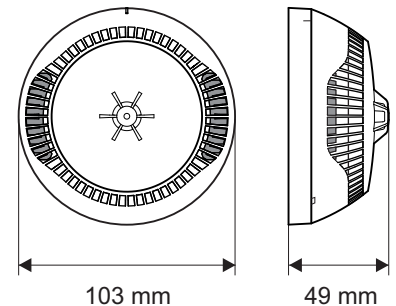
SensoIRIS M140, is an addressable combined (temperature and optical-smoke) detector, designed for installing in addressable fire alarm systems supporting TTE communication protocol.  
The detector is powered on from the panel and can be controlled via the communication protocol.



### Technical and Environmental Specifications

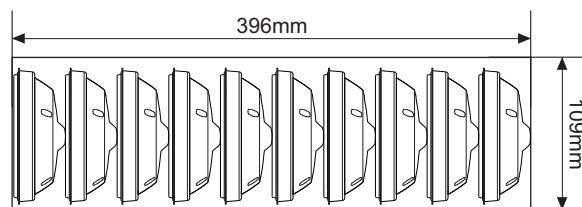
Operating Voltage Range . . . . .	15 - 32VDC (Nom. 27VDC)
Consumption in quiescent state, no communication . .	< 160µA@27VDC
Consumption in quiescent state, with communication .	< 200µA@27VDC
Consumption in alarm state, with communication . . .	6.5mA
Class (in accordance with EN54-5) . . . . .	A1R
Sensitivity (in accordance with EN54-7) . . . . .	High/ Normal/ Middle/ Low
Output in alarm state at terminal RI (terminals 4/ 1) .	7.5 mA (max)/ 7.5V
Wire Gauge for terminals . . . . .	0.4mm <sup>2</sup> - 2.0mm <sup>2</sup>
Operating temperature . . . . .	-10°C to +60°C
Relative humidity resistance . . . . .	(93 ± 3)% @ 40°C
Protection . . . . .	IP30
Weight (including base) . . . . .	~125g
Dimensions (including base) . . . . .	103x49mm

CE 15  
1293  
DoP No: 021  
1293-CPR-0450  
Tested by EVPN



### Packing Information

• **Master box** - 10 units SensoIRIS M140, dimensions 396 x 109 x 109 mm, without base.  
All detectors are protected with a plastic cap.



### Compatible Product Range

- **IRIS** - Addressable Fire Panel, 4 loops, 96 Zones
- **IRIS PRO** - Addressable Fire Panel, metal box, 4 loops, 96 Zones
- **SIMPO** - Addressable Fire Panel, 2 loops, 48 Zones
- **SensoIRIS FRL-1** - Remote Fire Indicator
- **SensoIRIS B124** - Standard Base
- **SensoIRIS BSOU** - Addressable base with built-in sounder
- **SensoIRIS BSST** - Addressable base with built-in sounder and strobe
- **DeepBase W** - Deep base accessory, white, for mounting on rough surfaces, outdoor pipelines, etc.
- **SensoIRIS Programmer** - Address Programming Tool

### Contact Information

Distributed by  
**Best Global Engineering**  
*Think value innovation*

Office No. 17, 1st Floor, Hussain Complex  
18-KM., Ferozpur Road, Lahore-54760,  
Pakistan  
Tel: +92 (042) 35401824  
Fax: +92 (042) 35401823  
email: sales@bestglobalengineering.com  
https://bestglobalengineering.com  
**Whatsapp: +923004003267**